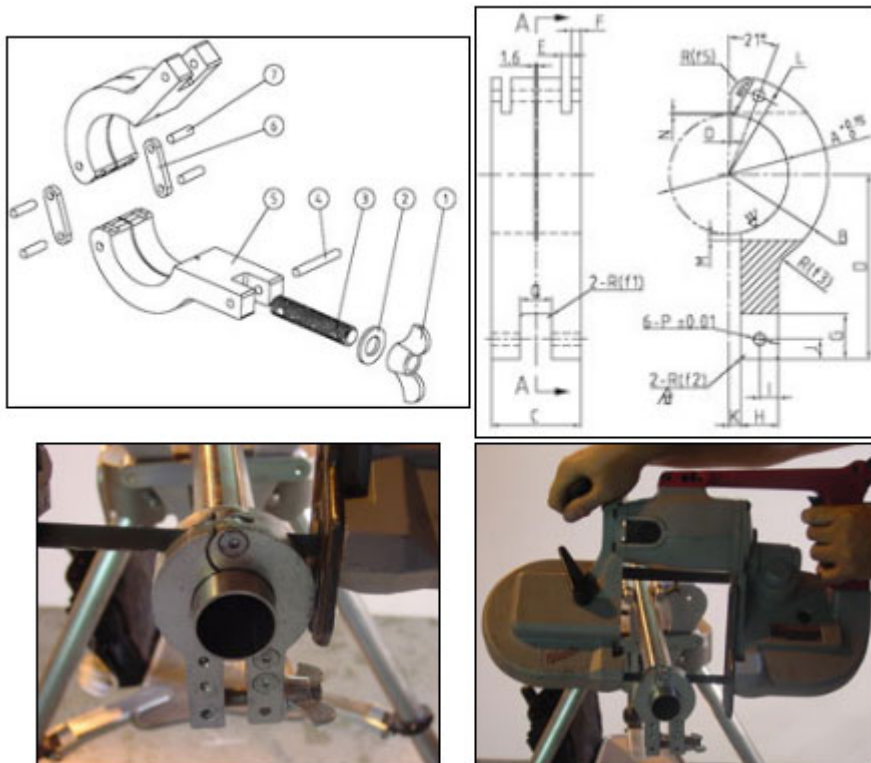


**LEFON**  
MACHINERY & ENGINEERING GROUP

# SAW GUIDE

Based on customer need, LEFON presents the latest design of Saw Guide that adopts rugged hard facing to ensure durability and convenient usage. If the pipe is not round, this Saw Guide can also work as rounding clamps to facilitate welding. Variety of Saw Guide models are available, customized for different OD size tube/pipe.



Tube/Pipe Size	Model
1/2"	SG050
3/4"	SG075
0.840"	SG084
1"	SG100
1.050"	SG105
1.315"	SG131
1.5"	SG150
1.660"	SG166
1.90"	SG190
2"	SG200
2.375"	SG237
2.5"	SG250
2.875"	SG287
3"	SG300
3.5"	SG350
4"	SG400
4.5"	SG450